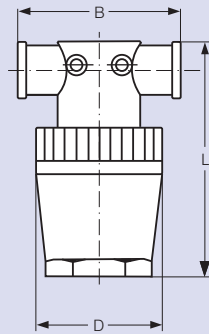






Material: Polypropylene



Features

- Line strainers are designed for service pressures up to 14.0 bar
- Large-area strainers with colour-coded screen inserts
- Strainer housings have bores for mounting purposes
- Suitable for delivery-end or supply-end installation


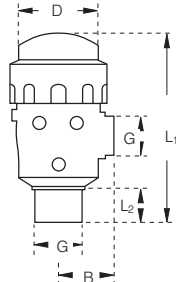

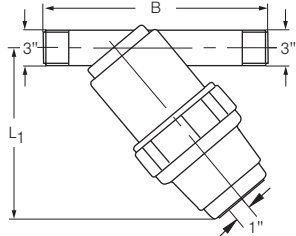
Line strainer

①  SGI female thread	②  SGA male thread
③  SGI 6R model with cleanout connector	④  A.345.033 A.345.033.5 high-pressure strainer, max. 50 bar

Max. Flow rate l/min	Order no.	Connector G (BSP)	Dimensions			Screen insert order no. Mesh size* Color code		
			D mm	L mm	B mm	30 M white	50 M blue	80 M red
① SGI female (incl. Screen insert 50M. blue)								
100	SGI 2	1/2" female	74	136	99	012.06	012.03	012.02
100	SGI 3	3/4" female	74	136	99	012.06	012.03	012.02
160	SGI 4	1" female	86	165	107	012.06	012.03	012.02
280	SGI 5	1 1/4" female	116	279	146	114.06	114.03	114.02
280	SGI 6	1 1/4" female	116	279	146	114.06	114.03	114.02
② SGA male (incl. Screen insert 50M. blue)								
100	SGA 2	1/2" male	74	136	99	012.06	012.03	012.02
100	SGA 3	3/4" male	74	136	99	012.06	012.03	012.02
160	SGA 4	1" male	86	165	112	012.06	012.03	012.02
280	SGA 5	1 1/4" male	116	279	146	114.06	114.03	114.02
280	SGA 6	1 1/4" male	116	279	146	114.06	114.03	114.02
③ SGI 6R model with cleanout connector*								
280	SGI 6R	1 1/2" female	116	353	146	114.06	114.03	114.02

Max. Flow rate l/min	Order no.	Connector G (BSP)	Dimensions		Screen insert (incl.)
			D mm	L mm	
④ High-pressure strainer, 50 bar, made of fiberglass reinforced nylon					
150	A.345.033	G 1/2"/G 3/4"	104	259	50M
150	A.345.033.5	G 1/2"/G 3/4"	104	259	80M

Suction strainer

⑤  A.316.172/A.316.173	
⑥  SGA.300 max. 8 bar	

Order no.	Description
④ Accessory for High-pressure strainer 50 bar	
A.004.010.020	1/2" plug
A.403.000.060	Gasket for 1/2" plug
A.465.230.020	3/4" plug
A.465.005.140	Gasket for 3/4" plug

Max. Flow rate l/min	Order no.	Connector G (BSP)	Dimensions				Screen insert Mesh*	
			D mm	L1 mm	L2 mm	B mm	Color Code	
⑤ A316.172/A.316.173								
220	A. 316.172 incl. screen 30 M	2" male	170	292	42	98	30 M (white) A.316.002.030	
220	A. 316.173 incl. screen 50 M	2" male	170	292	42	98	50 M (blue) A.316.003.030	
⑥ SGA 300								
800	SGA 300	3" male	-	412	-	440	30 M white 002.26	30 M white 003.26

* Please always specify desired mesh size on order.